

## Introduction

### ► Feature

- Line pull: 5,443 kg / 12,000 lb wire rope first layer
- Wire rope: 9.5 mm × 38 m (3/8" × 125') galvanized aircraft A7 × 19
- Brake: Patented cone brake holds full load
- Clutch: Turn the T-handle for rapid wire rope payout
- Control: Handheld pendant switch powers the winch

### ► Unpacking

- Winch assembly..... 1 pc
- Detachable control box..... 1 pc
- Remote control..... 1 pc
- Wire rope with hook..... 1 pc
- Roller fairlead..... 1 pc
- 1.8 m ( 6' ) 2 gauge battery lead..... 1 pc

### ► Read this manual carefully

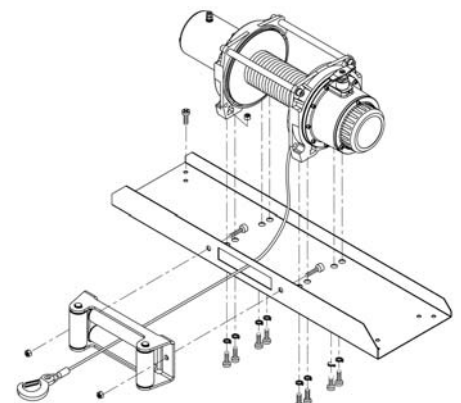
You should carefully read and understand this manual before operating it. Careless winch operation may result in personal injury hazards or property damage.

## Installation

Before using the winch, make sure all electrical components have no corrosion or damaged; the environment should be clear and dry.

### ► Winch and roller fairlead mountings

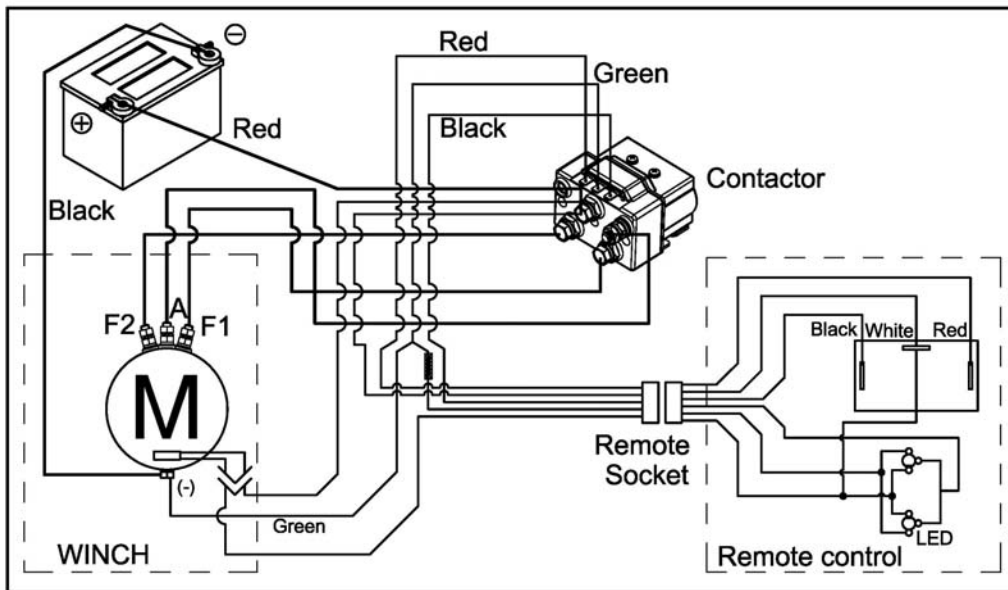
- It is very important that the winch will be mounted on a flat and hard surface of mounting channel in order to make sure the motor, drum and gearbox housing are aligned correctly.
- Roller fairlead does not mount to the winch directly.



- The wire rope shall be wound in an under-wound orientation only.
- Eight (8) M12 x 1.75 pitch 8.8 grade high tensile steel bolts must be used in order to sustain the loads imposed on the winch mounting.
- Two (2) M12 x 1.75 pitch 8.8 grade high tensile steel bolts must be used for fastening the roller fairlead into the mounting channel.

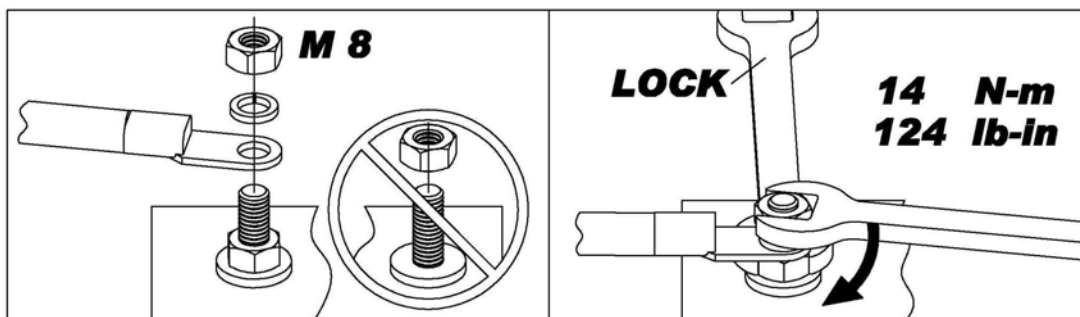
## ► Wiring Diagram

Attach the black lead firmly to the negative (-) battery terminal and red lead to the positive (+) battery terminal. The voltage drop for the winch motor must not exceed 10% of the nominal voltage of 12/24V DC.



## ► Nut fastening for motor & contactor

1. Holding the lower nut on the stub and fastening the upper nut clockwise.
2. The torque setting for nut is 14 N-m/124 lb-in.



## Warning

- The winch is not intended to be used in any manner for the movement or lifting of personnel.
- The rated line pull shown is based on the first layer of rope on the drum.
- The rope winding on the drum shall remain 5 wraps from the drum.

# Parts List

Ver:1

Item No.	Description	Part No.	Qty
1	Motor 12V	881296	1
	Motor 24V	881297	
2	Tie bar kit	880045	3
3	Motor support rack	880046	1
4	Motor coupling	880047	1
5	Drum bushing	880048	2
6	Drum kit	880049	1
7	Gearbox support rack	880050	1
8	Grounding lead	880009	1
9	Wire rope w/hook	880052	1
10	1 <sup>st</sup> shaft	880053	1
11	3 <sup>rd</sup> ring gear kit	880054	1
12	3 <sup>rd</sup> stage carrier	881944	1
13	2 <sup>nd</sup> stage carrier	880056	1
14	1 <sup>st</sup> stage carrier	880057	1
15	Retaining ring	880058	1
16	1 <sup>st</sup> & 2 <sup>nd</sup> ring gear	880059	1
17	1 <sup>st</sup> pinion	880060	1
18	Clutch kit	880061	1
19	Gear box kit	880062	1
20	Brake base	880063	1
21	Cone brake disc kit	880021	1
22	Brake cover kit	880065	1
23	Roller fairlead	880066	1
24	Mounting hardware	880067	1
25	Remote control	880126	1
26	Handsaver strap	880026	1
27	Detachable control box 12V	881164	1
	Detachable control box 24V	881165	
27-1	Remote socket kit 12V	881373	1
	Remote socket kit 24V	881374	
27-2	Detachable control pack 12V	881400	1
	Detachable control pack 24V	881401	
28	Brake clutch base	881434	1

# Winch Assembly

